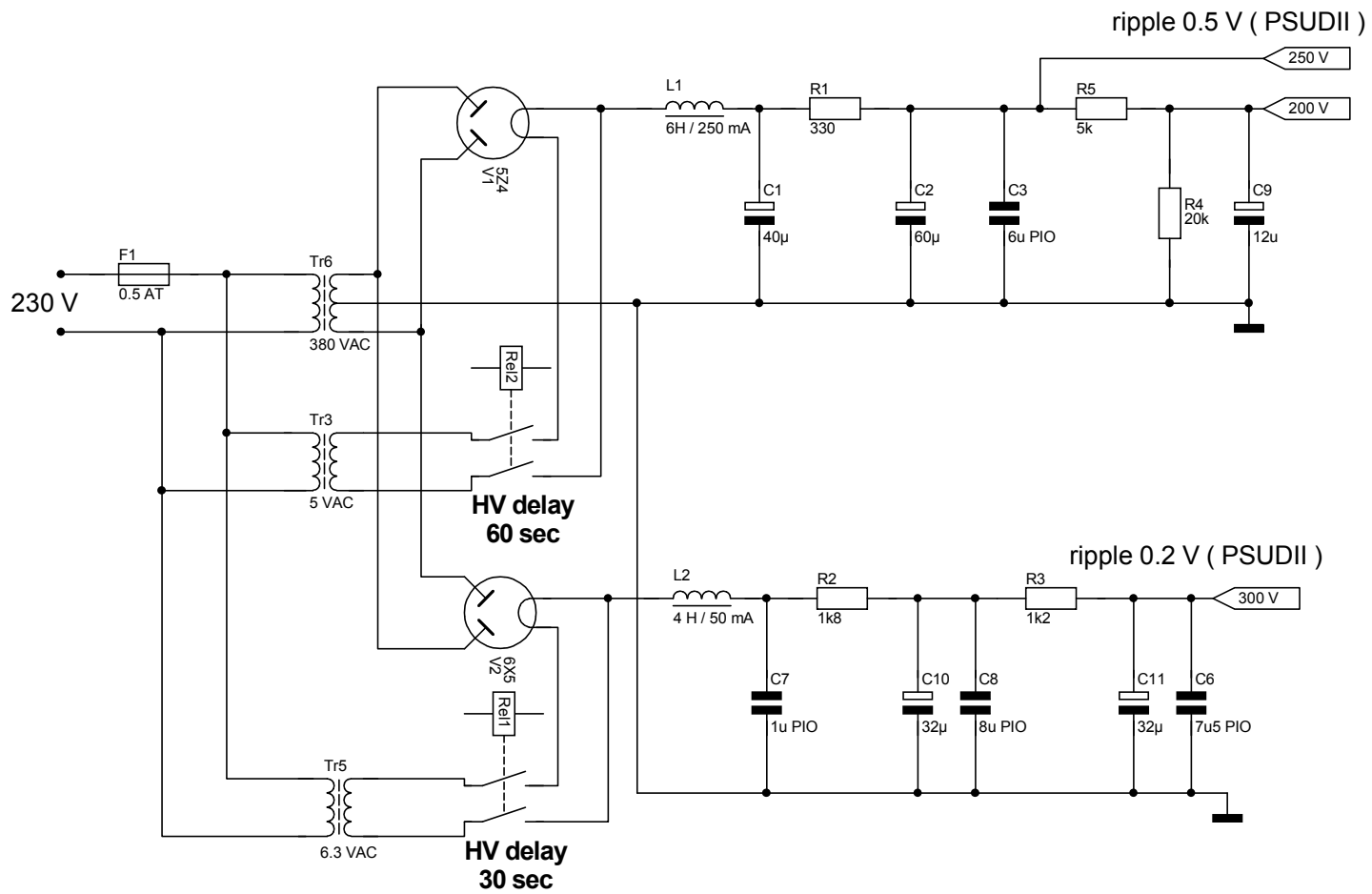


GS = Grid Stopper (100 .. 1000 ohm)

Design	Revision	Status	Page	Of	UltrAnalog Last update: 06/10/2003
Coldwar signal section	C	built	1	2	

(c) 2001-2003 Remco Stoutjesdijk - UltrAnalog. Subject to disclaimer at <http://www.ultranalog.com/disc.html>



Design	Revision	Status	Page	Of	UltrAnalog Last update: 06/10/2003
Coldwar PSU	C	built	2	2	